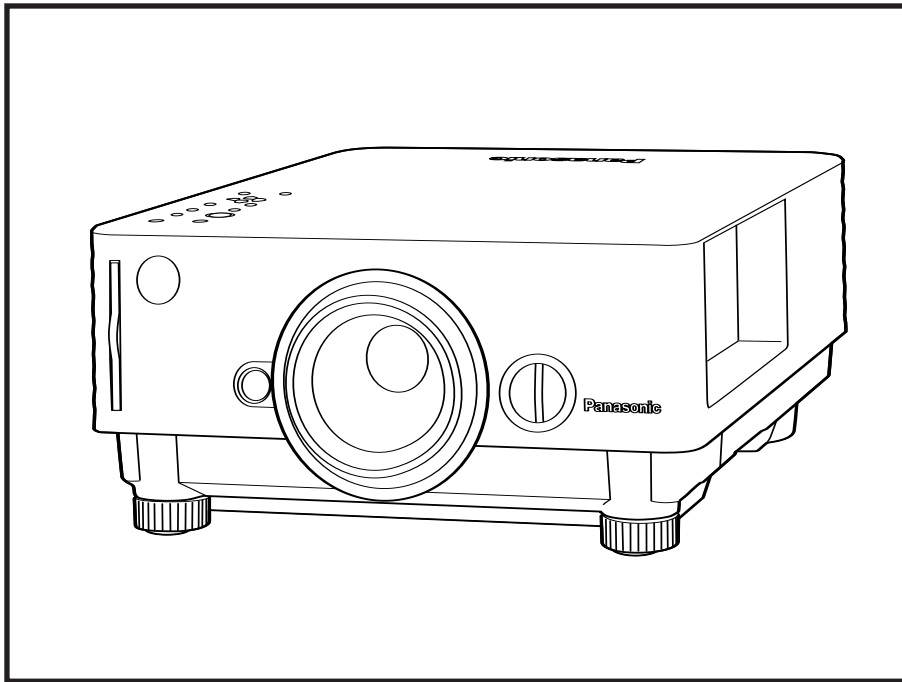


PRODUCT NO.: PT-D3500
PRODUCT NAME: DLP™-Based Projector



MAJOR FEATURES

- High image quality
 - High-precision 0.7" DLP™ chip
 - Ultra bright 3,500 lumens
 - High 1,600:1 contrast ratio
 - Highly uniform brightness and color
- High reliability and easy maintenance
 - Dustproof design with sealed optical block
 - Easily replaceable dust filter and lamp
- Flexible system applications
 - Lens-centered design
 - Horizontal/vertical lens shift
 - Optional lenses for various venues
 - Easy lens replacement
 - Mechanical lens shutter
 - Flexible angle setting
 - Multiple terminals with AV switcher capability
- Networking
 - Wired LAN system
 - Web browser control/monitoring
 - E-mail message alert
- Other valuable features
 - Direct power off
 - Quiet operation design
 - Anti-theft features, including security chain opening

DLP™-Based Projector

PT-D3500

Specifications

Main Unit

Power supply:	100–240 V AC, 50/60 Hz
Power consumption:	410 W (410 VA) (10 W during standby mode with fan stopped)
DMD™ device:	Panel size: 0.7" diagonal (4:3 aspect ratio)
	Display method: DMD™ x 1, DLP™ system
	Pixels: 786,432 (1,024 x 768) x 1, total of 786,432 pixels
Lens:	Powered zoom/focus lenses (1–1.36), F 1.7–2.0, f 25.6–33.8 mm
Lamp:	300 W UHM™ lamp
Screen size:	50–600 inches
Brightness:	3,500 lumens (contrast mode: high)
Contrast:	1,600:1 (full on/full off, contrast mode: high) 800:1 (full on/full off, contrast mode: normal)
Resolution:	RGB: 1,024 x 768 pixels (1,600 x 1,200 pixels compatible, compression mode)
	Video: 560 TV lines
Scanning frequency:	RGB: Horizontal: 15–91 kHz, Vertical: 50–85 Hz, Dot clock: Less than 108 MHz
	YPbPr (YCbCr): 480i: fh 15.75 kHz; fv 60 Hz, 576i: fh 15.63 kHz; fv 50 Hz, 480p: fh 31.5 kHz; fv 60 Hz, 576p: fh 31.25 kHz; fv 50 Hz, 720/60p: fh 45 kHz; fv 60 Hz, 1035/60i: fh 33.75 kHz; fv 60 Hz, 1080/60i: fh 33.75 kHz; fv 60 Hz, 1080/50i: fh 28.13 kHz; fv 50 Hz
	S-Video/Video: Horizontal: 15.75/15.63 kHz, Vertical: 50/60 Hz, (PAL, PAL60, PAL-M, PAL-N, SECAM, NTSC, NTSC4.43)
Optical axis shift:	Horizontal (manual) and vertical (powered), horizontal: 6:4–4:6, vertical: 0:10–10:0
Keystone correction range:	Vertical: ±30°
Installation:	Ceiling/floor, front/rear
Terminals:	DVI-D IN: DVI-D 24-pin x 1
	DVI-D AUDIO IN: M3 (L, R) x 1, 0.5 Vrms
	RGB1 IN: 5 BNC x 1
	R, G, B: G: 0.7 Vp-p (G: 1.0 Vp-p for sync on G), 75Ω, B, R: 0.7 Vp-p, 75Ω HD, VD/SYNC: TTL (positive/negative)
	Y, Pb, Pr: Y: 1.0 p-p (sync signal included), 75Ω, Pb, Pr: 0.7 Vp-p, 75Ω
	RGB1 AUDIO IN: M3 (L, R) x 1, 0.5 Vrms
	RGB2 IN: D-sub HD 15-pin x 1
	R, G, B: 0.7 Vp-p (G: 1.0 Vp-p for sync on G), 75Ω, B, R: 0.7 Vp-p, 75Ω HD, VD/SYNC: 75Ω, TTL (positive/negative polarity)
	Y, Pb, Pr: Y: 1.0 p-p, 75Ω, Pb, Pr: 0.7 Vp-p, 75Ω
	RGB2 AUDIO IN: M3 (L, R) x 1, 0.5 Vrms
	VIDEO IN: RCA pin x 1, 1.0 Vp-p, 75Ω
	VIDEO AUDIO IN: RCA pin (L, R) x 1, 0.5 Vp-p, 75Ω
	S-VIDEO IN: Mini DIN 4-pin x 1, Y: 1.0 Vp-p, C: 0.286 Vp-p, 75Ω
	S-VIDEO AUDIO IN: RCA pin (L, R) x 1, 0.5 Vp-p, 75Ω
	SERIAL IN: D-sub 9-pin x 1 (RS-232C compliant) for external controller
	REMOTE 1 IN: M3 jack x 1 for wired remote control
	REMOTE 2 IN: D-sub 9-pin x 1 for external control (parallel)
	LAN: RJ-45 x 1
Power cord length:	3.0 m (9.8')
Cabinet material:	Molded plastic (ABS/PC)
Dimensions (W x H x D):	332 x 168 x 425 mm (13-1/16" x 6-5/8" x 16-23/32")
Weight:	7.9 kg (17.4 lbs)
Operating temperature:	0°–40°C (32°–104°F)
Operating humidity:	20%–80% (no condensation)

Weights and dimensions shown are approximate. Specifications subject to change without notice.

DLPTM-Based Projector

PT-D3500

Remote Control Unit

Power supply: 3 V DC (AAA battery x 2)
 Operation range*: Wireless: Approx. 7 m when operated from directly in front of the signal receptor
 Dimensions (W x H x D): 45 x145 x 24.5 mm (1-3/4" x 5-11/16" x 31/32")
 Weight: Approx. 115 g (4.1 oz.) (including batteries)

Supplied Accessories

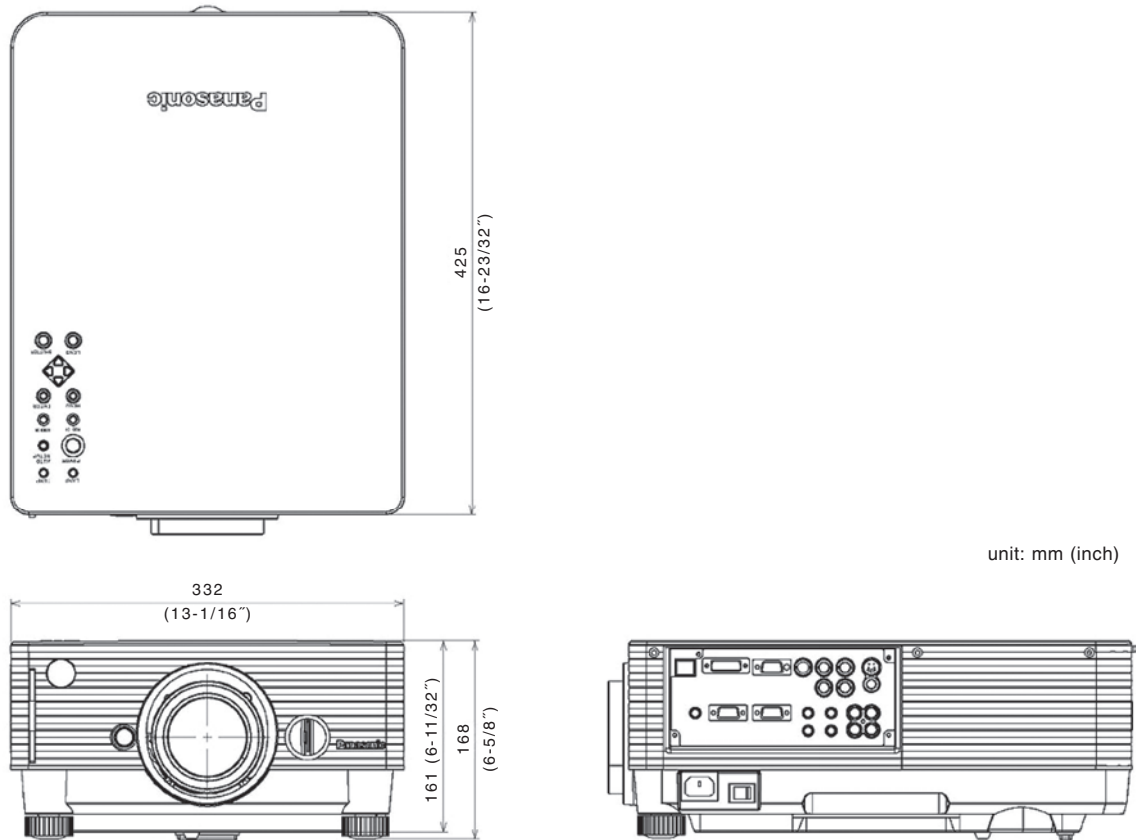
Power cord, Wireless/wired remote control unit, Batteries for remote control (x 2)

Optional Accessories

Replacement lamp unit: ET-LAD35
 Replacement lamp unit: ET-LAD35L
 Ceiling mount bracket: ET-PKD35
 Ceiling mount bracket for low ceilings: ET-PKD35S
 Zoom lens (1.3-1.8:1) ET-DLE100
 Zoom lens (2.5-4.0:1) ET-DLE200
 Zoom lens (3.7-5.7:1) ET-DLE300
 Zoom lens (5.7-8.0:1) ET-DLE400
 Fixed-focus lens (0.8:1) ET-DLE050
 Wireless mouse receiver ET-RMRC2

* Operation range differs depending on the environment.

Dimensions



Note: This illustration is not drawn to scale.

DLP™-Based Projector

PT-D3500

Projection distance (screen aspect ratio 4:3)

Screen size (inch, diagonal)	ET-DLE100 Zoom lens (1.3–1.8:1)		Supplied lens (1.7–2.1:1)		ET-DLE200 Zoom lens (2.5–4.4:1)		ET-DLE300 Zoom lens (3.7–5.7:1)		ET-DLE400 Zoom lens (5.7–8.0:1)		ET-DLE050 Fixed-focus lens (0.8:1)
	min.	max.	min.	max.	min.	max.	min.	max.	min.	max.	
50	1.4 / 4.6	1.8 / 5.9	1.8 / 5.9	2.4 / 7.9	2.5 / 8.2	4.1 / 13.5	3.9 / 12.8	6.0 / 17.2	6.0 / 17.2	8.3 / 27.2	0.794 / 2.6
60	1.7 / 5.6	2.1 / 6.9	2.1 / 6.9	2.9 / 9.5	2.9 / 9.5	4.9 / 16.1	4.7 / 15.4	7.2 / 23.6	7.2 / 23.6	9.9 / 32.5	0.960 / 3.15
70	1.9 / 6.2	2.5 / 8.2	2.5 / 8.2	3.4 / 9.8	3.4 / 9.8	5.7 / 18.7	5.5 / 18.0	8.4 / 27.6	8.3 / 27.2	11.6 / 38.1	1.126 / 3.69
80	2.2 / 7.2	2.9 / 9.5	2.9 / 9.5	3.7 / 12.1	3.9 / 12.8	6.5 / 21.3	6.3 / 20.7	9.7 / 31.8	9.5 / 31.2	13.2 / 43.3	1.292 / 4.24
90	2.5 / 8.2	3.3 / 10.8	3.3 / 10.8	4.3 / 14.1	4.4 / 14.4	7.3 / 24.0	7.1 / 23.3	11.0 / 36.1	10.7 / 35.1	14.8 / 48.6	1.458 / 4.78
100	2.8 / 9.2	3.6 / 11.8	3.6 / 11.8	4.8 / 15.7	4.9 / 16.1	8.1 / 26.6	7.9 / 25.9	12.1 / 39.7	11.8 / 38.7	16.5 / 54.1	1.624 / 5.33
120	3.3 / 10.8	4.4 / 14.4	4.4 / 14.4	5.8 / 19.0	5.8 / 19.0	9.8 / 32.2	9.5 / 31.2	14.6 / 47.9	14.2 / 46.6	19.8 / 65.0	1.956 / 6.42
150	4.2 / 13.8	5.5 / 18.0	5.5 / 18.0	7.3 / 24.0	7.3 / 24.0	12.2 / 40.0	11.8 / 38.7	18.3 / 60.0	17.7 / 58.1	24.7 / 81.0	2.454 / 8.05
200	5.4 / 17.7	7.3 / 24.0	7.3 / 24.0	9.7 / 31.8	9.8 / 32.2	16.3 / 53.5	15.8 / 51.8	24.5 / 80.4	23.6 / 77.4	32.9 / 107.9	3.283 / 10.77
250	6.9 / 22.6	9.2 / 30.2	9.2 / 30.2	12.1 / 39.7	12.2 / 40.0	20.3 / 66.6	19.8 / 65.0	30.6 / 100.4	29.4 / 96.5	41.2 / 135.2	- / -
300	8.3 / 27.2	11.1 / 36.4	11.1 / 36.4	14.6 / 47.9	14.7 / 48.2	24.4 / 80.1	23.8 / 78.1	36.8 / 120.7	35.3 / 115.8	49.4 / 162.1	- / -
400	11.1 / 36.4	14.8 / 48.6	14.8 / 48.6	19.5 / 64.0	19.6 / 64.3	32.5 / 106.6	31.7 / 104.0	49.1 / 161.1	47.1 / 154.5	65.9 / 216.2	- / -
500	13.8 / 45.3	18.5 / 60.7	18.5 / 60.7	24.4 / 80.1	24.5 / 80.4	40.6 / 133.2	39.7 / 130.2	61.4 / 201.4	58.9 / 193.2	82.3 / 270.0	- / -
600	16.6 / 54.5	22.2 / 72.8	22.2 / 72.8	29.2 / 95.8	29.4 / 96.5	48.8 / 160.1	47.6 / 156.2	73.8 / 242.1	70.7 / 232.0	98.8 / 324.5	- / -

unit: m/ft

Calculation of the projection distance:

For a screen size, use the equation below to calculate the projection distance.

ET-DLE100	4 : 3	minimum	$L (m) = (\text{diagonal screen size in inches}) \times 0.0276 - 0.045$
		maximum	$L (m) = (\text{diagonal screen size in inches}) \times 0.0372 - 0.048$
	16 : 9	minimum	$L (m) = (\text{diagonal screen size in inches}) \times 0.0301 - 0.045$
		maximum	$L (m) = (\text{diagonal screen size in inches}) \times 0.0405 - 0.048$
Supplied lens	4 : 3	minimum	$L (m) = (\text{diagonal screen size in inches}) \times 0.0370 - 0.065$
		maximum	$L (m) = (\text{diagonal screen size in inches}) \times 0.0488 - 0.064$
	16 : 9	minimum	$L (m) = (\text{diagonal screen size in inches}) \times 0.0403 - 0.065$
		maximum	$L (m) = (\text{diagonal screen size in inches}) \times 0.0532 - 0.064$
ET-DLE200	4 : 3	minimum	$L (m) = (\text{diagonal screen size in inches}) \times 0.0504 - 0.066$
		maximum	$L (m) = (\text{diagonal screen size in inches}) \times 0.0824 - 0.076$
	16 : 9	minimum	$L (m) = (\text{diagonal screen size in inches}) \times 0.0549 - 0.066$
		maximum	$L (m) = (\text{diagonal screen size in inches}) \times 0.0898 - 0.076$
ET-DLE300	4 : 3	minimum	$L (m) = (\text{diagonal screen size in inches}) \times 0.0795 - 0.138$
		maximum	$L (m) = (\text{diagonal screen size in inches}) \times 0.1232 - 0.131$
	16 : 9	minimum	$L (m) = (\text{diagonal screen size in inches}) \times 0.0866 - 0.138$
		maximum	$L (m) = (\text{diagonal screen size in inches}) \times 0.1342 - 0.131$
ET-DLE400	4 : 3	minimum	$L (m) = (\text{diagonal screen size in inches}) \times 0.1176 + 0.024$
		maximum	$L (m) = (\text{diagonal screen size in inches}) \times 0.1646 + 0.065$
	16 : 9	minimum	$L (m) = (\text{diagonal screen size in inches}) \times 0.1281 + 0.024$
		maximum	$L (m) = (\text{diagonal screen size in inches}) \times 0.1793 + 0.065$
ET-DLE050	4 : 3	(fixed focus)	$L (mm) = (\text{diagonal screen size in inches}) \times 16.6 - 36.1$
		(fixed focus)	$L (mm) = (\text{diagonal screen size in inches}) \times 18.1 - 36.1$
	16 : 9	(fixed focus)	$L (mm) = (\text{diagonal screen size in inches}) \times 16.6 - 36.1$
		(fixed focus)	$L (mm) = (\text{diagonal screen size in inches}) \times 18.1 - 36.1$

DLP™-Based Projector

PT-D3500

Calculation of the projection distance:

For a screen size, use the equation below to calculate the projection distance. (unit: mm)

ET-DLE100	4 : 3	minimum maximum	$L (m) = (\text{diagonal screen size in inches}) \times 27.6 - 45$ $L (m) = (\text{diagonal screen size in inches}) \times 37.2 - 48$
Supplied lens	4 : 3	minimum maximum	$L (m) = (\text{diagonal screen size in inches}) \times 37.0 - 65$ $L (m) = (\text{diagonal screen size in inches}) \times 48.8 - 64$
ET-DLE200	4 : 3	minimum maximum	$L (m) = (\text{diagonal screen size in inches}) \times 50.4 - 66$ $L (m) = (\text{diagonal screen size in inches}) \times 82.4 - 76$
ET-DLE300	4 : 3	minimum maximum	$L (m) = (\text{diagonal screen size in inches}) \times 79.5 - 138$ $L (m) = (\text{diagonal screen size in inches}) \times 123.2 - 131$
ET-DLE400	4 : 3	minimum maximum	$L (m) = (\text{diagonal screen size in inches}) \times 117.6 + 24$ $L (m) = (\text{diagonal screen size in inches}) \times 164.6 + 65$
ET-DLE050	4 : 3	(fixed focus)	$L (m) = (\text{diagonal screen size in inches}) \times 16.6 - 36.1$